

CPVCDE0303LF Drop Ear Elbow

Specification Sheet

FEATURES & BENEFITS

- CPVC x Lead Free Brass
- For use in new and retrofit installations in residential and light commercial plumbing systems
- Durable overmolded one-piece fitting eliminates union tail-piece connection and possible leak path
- Molded CPVC end piece with slip connection
- Pressure rated to 100 psi at 180° F / 150 psi at 100° F
- Manufactured to the material and dimensional requirements of ASTM D2846
- Female threads to ASME B1.20.1
- Approvals: ASTM D2846. NSF 14, cUPC, CSA B137.6, NSF 61, NSF 372
- Size 1/2"

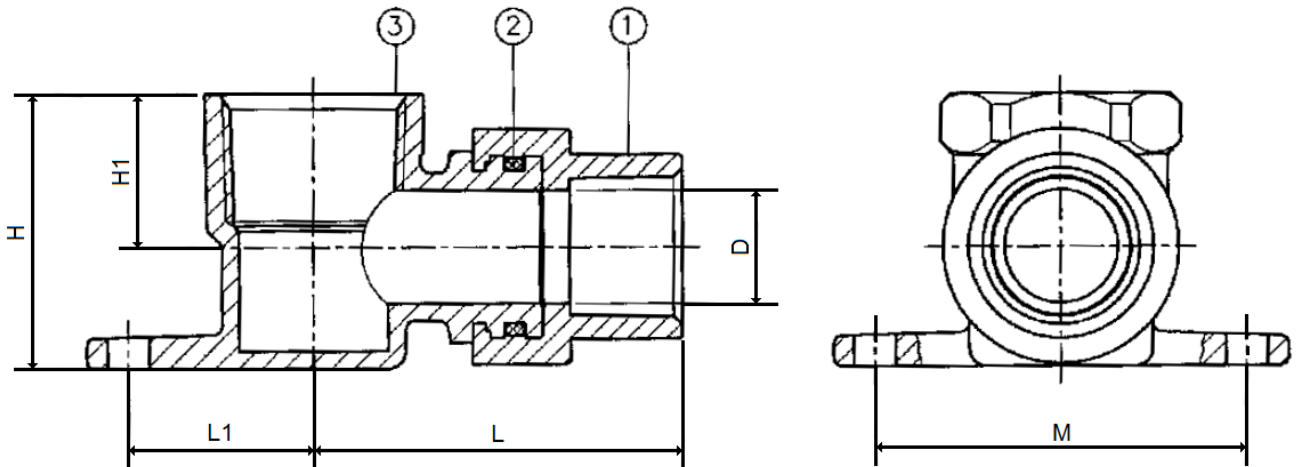


MATERIAL SPECIFICATIONS

No.	Part	Material
1	Nipple	CPVC / ASTM D2846
2	O-Ring	EPDM
3	Nipple	Brass C46400

DIMENSIONS

Part #	Size	D	H	H1	L	L1	M
CPVCDE0303LF	1/2"	0.51	0.53	0.69	1.66	0.84	1.67

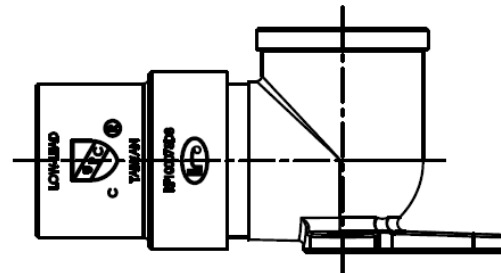
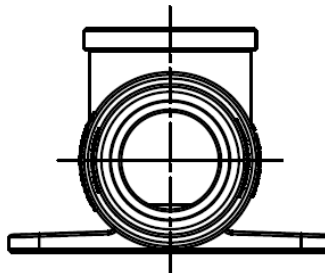
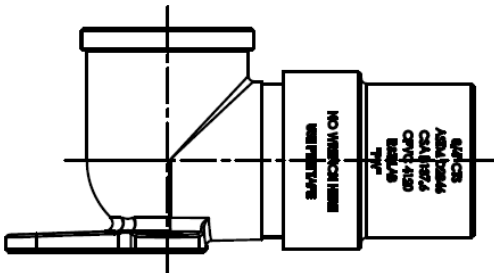
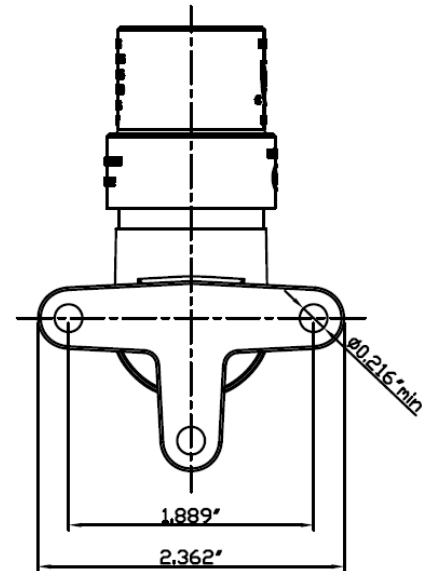
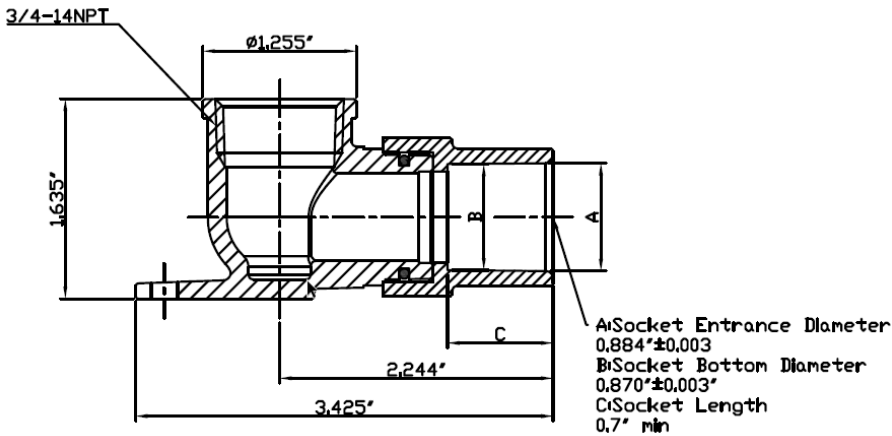


CPVCDE0404LF Drop Ear Elbow

Specification Sheet

FEATURES & BENEFITS

- CPVC x Lead Free Brass
- For use in new and retrofit installations in residential and light commercial plumbing systems
- Durable overmolded one-piece fitting eliminates union tail-piece connection and possible leak path
- Molded CPVC end piece with slip connection
- Pressure rated to 100 psi at 180° F / 150 psi at 100° F
- Manufactured to the material and dimensional requirements of ASTM D2846
- Female threads to ASME B1.20.1
- Approvals: ASTM D2846. NSF 14, cUPC, CSA B137.6, NSF 61, NSF 372
- Size 3/4"



MATCO
NORCA