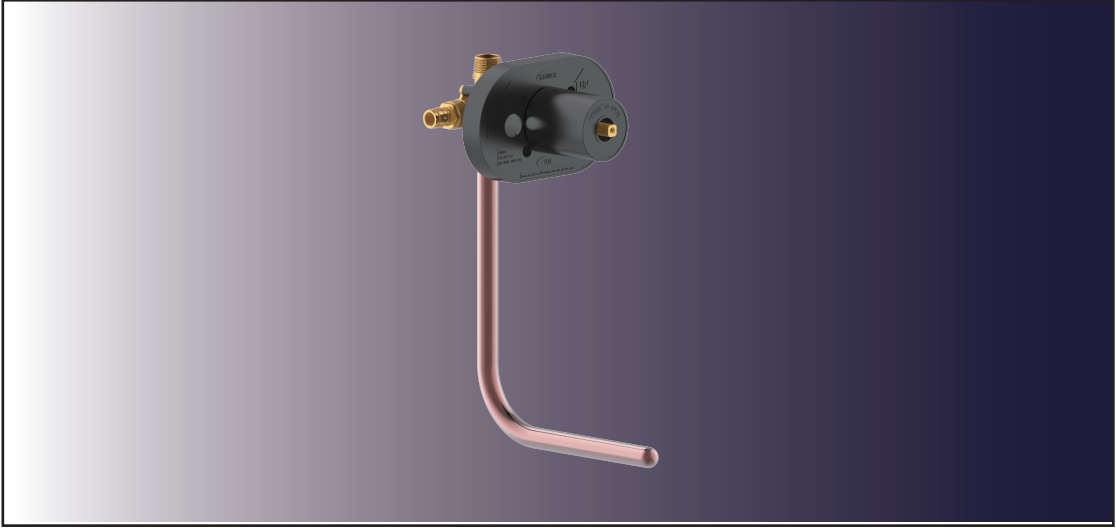


□ **LR-799ASO**

PRESSURE BALANCING VALVE BODY



Product Spec Sheet

FEATURES & BENEFITS

LR-799ASO

- Ceramic Cartridge
- Pex A Connection ASTM F1960 Standard
- Less Stops

Approvals:

Meets or Exceeds The Following:

- * ANSI/ASME A112.18.1
- * IAPMO/cUPC
- * ASSE 1016-2005



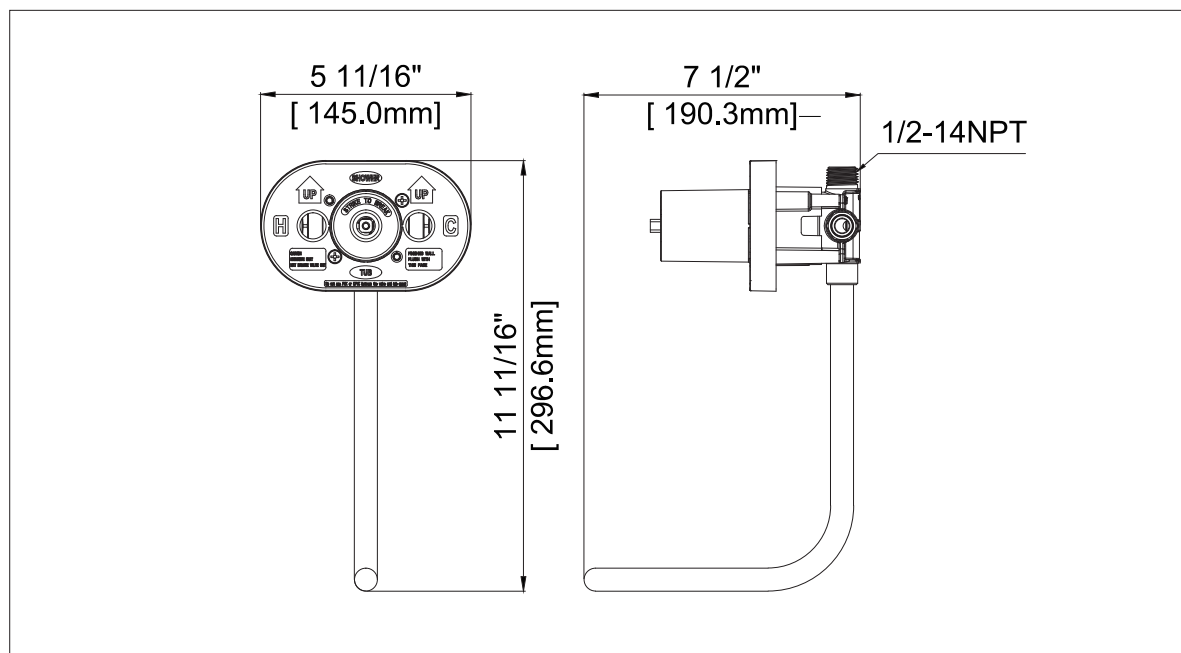
TEL: 800-431-2082

FAX: 800-640-2252

Visit Our Web Site : www.matco-norca.com

PRESSURE BALANCING VALVE BODY

No.	Name	Part No.
1	O-ring / A rotórico	RP60091
2	Bonnet / Bonete	RP70798
3	Cartridge / Cartucho	RP20131
4	O-ring / A rotórico	RP60130
5	Cartridge Seat / Asiento del cartucho	RP70799



Product Spec Sheet