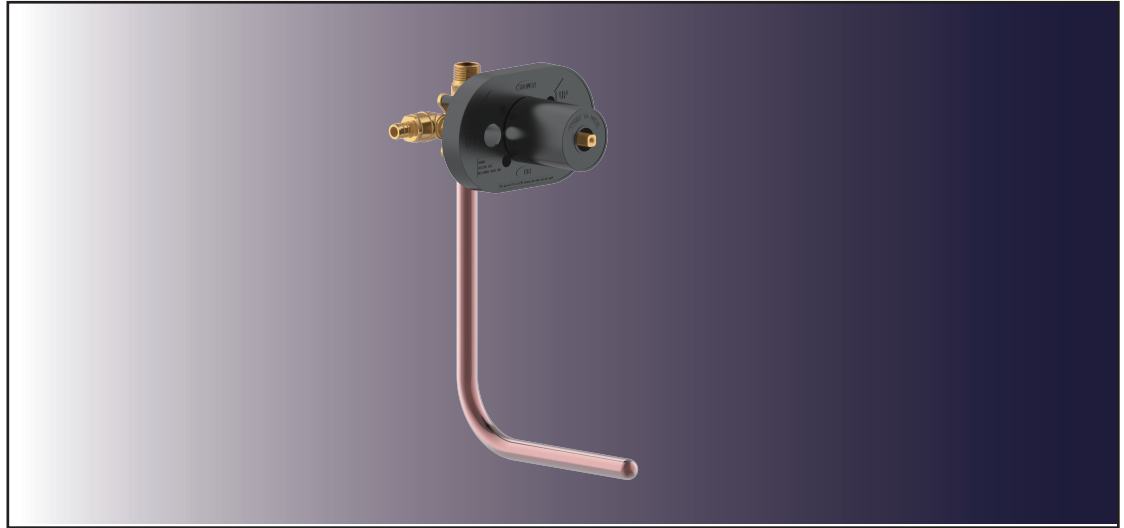


□ **LR-799PWSSO**



PRESSURE BALANCING VALVE BODY



FEATURES & BENEFITS

- Ceramic Cartridge
- Pex Connection
- With Stops

LR-799PWSSO

Approvals:

Meets or Exceeds The Following:

- * ANSI/ASME A112.18.1
- * IAPMO/cUPC
- * ASSE 1016-2005



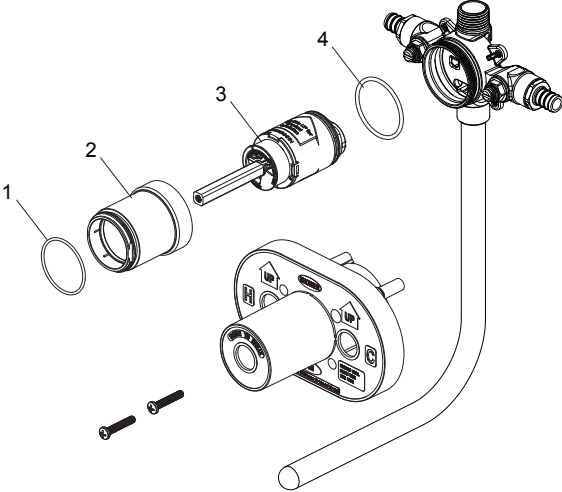
TEL: 800-431-2082

FAX: 800-640-2252

Visit Our Web Site : www.matco-norca.com

PRESSURE BALANCING VALVE BODY

No.	Name	Part No.
1	O-ring / A rotórico	RP60091
2	Bonnet / Bonete	RP70798
3	Cartridge / Cartucho	RP20131
4	O-ring / A rotórico	RP60130



The diagram shows an exploded view of the pressure balancing valve body. Component 1 is an O-ring, component 2 is the bonnet, component 3 is the cartridge, and component 4 is another O-ring. The main valve body is shown with a handle and a stem.

