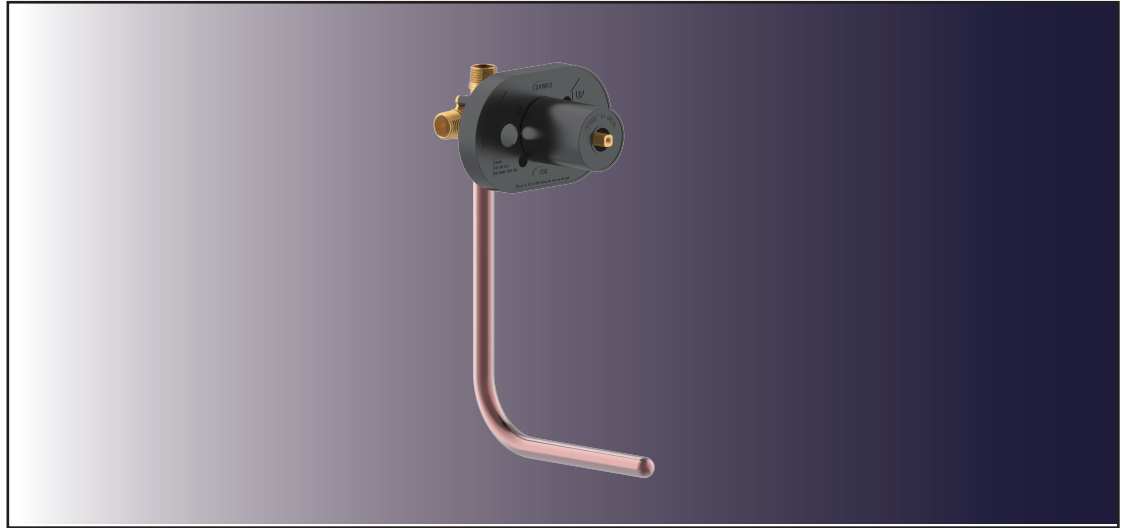


□ **LR-799SO**



## **PRESSURE BALANCING VALVE BODY**



### **FEATURES & BENEFITS**

LR-799SO

- Ceramic Cartridge
- CC/MIP
- Less Stops

#### **Approvals:**

#### **Meets or Exceeds The Following:**

- \* ANSI/ASME A112.18.1
- \* IAPMO/cUPC
- \* ASSE 1016-2005



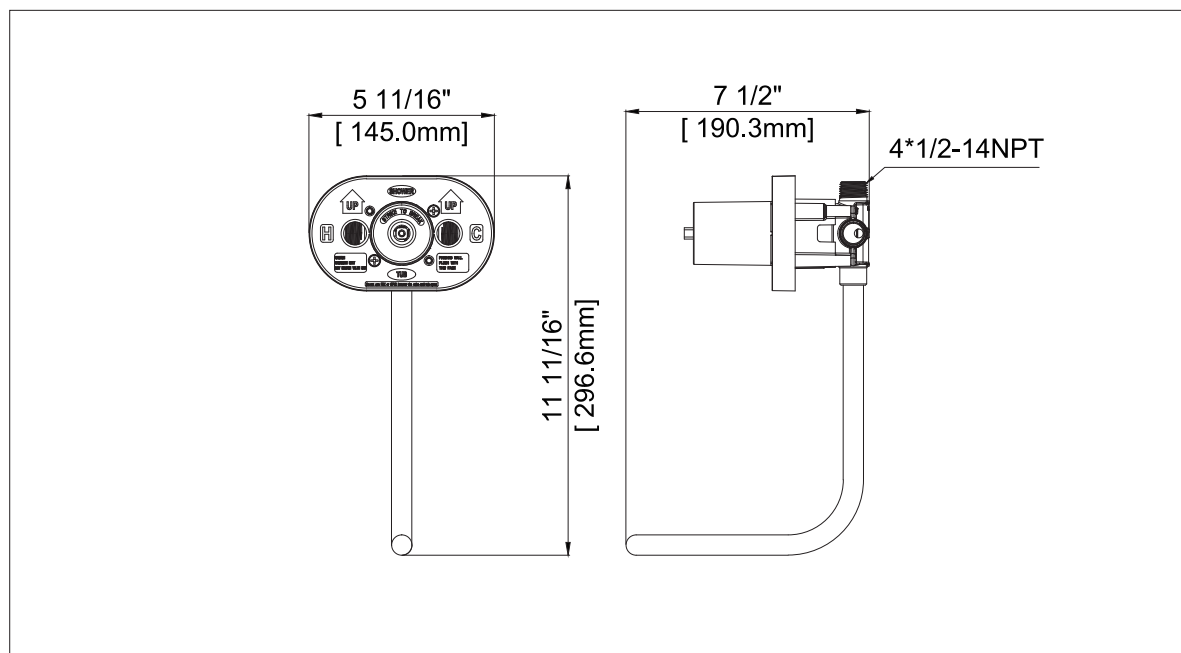
**TEL:** 800-431-2082

**FAX:** 800-640-2252

Visit Our Web Site : [www.matco-norca.com](http://www.matco-norca.com)

## **PRESSURE BALANCING VALVE BODY**

No.	Name	Part No.
1	O-ring / A rotórico	RP60091
2	Bonnet / Bonete	RP70798
3	Cartridge / Cartucho	RP20131
4	O-ring / A rotórico	RP60130
5	Cartridge Seat / Asiento del cartucho	RP70799



**Product Spec Sheet**