

Single Handle Tub & Shower Trim Kit

Product Spec Sheet



FEATURES & BENEFITS

LV-735CJP
Chrome Finish

- Metal Lever Handle
- Metal Shower Arm And Shower Flange
- With Metal Slip On Tub Spout
- With Single Function Showerhead
- Showerhead: Max Flow Rate 1.8 GPM (6.8L/Min)
At 80 PSI (ASME A112.18.1/A112.18.1)

Approvals:

Meets or Exceeds The Following:

- * ANSI/ASME A112.18.1/A112.18.1
- * IAPMO/cUPC
- * ADA Compliant (For Lever Handle Only)
- * EPA WaterSense



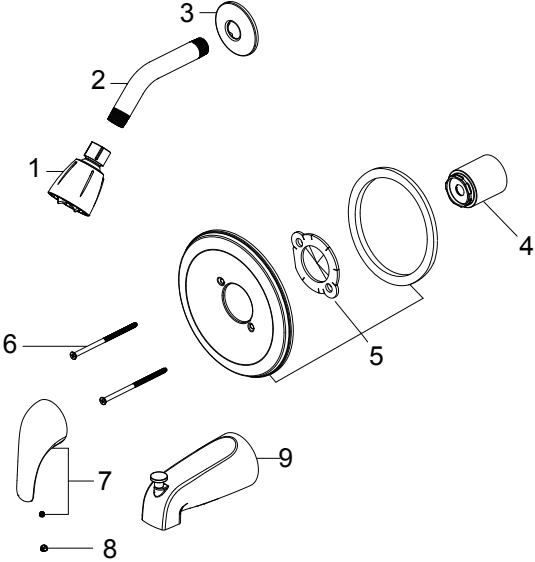
TEL: 800-431-2082

FAX: 800-640-2252

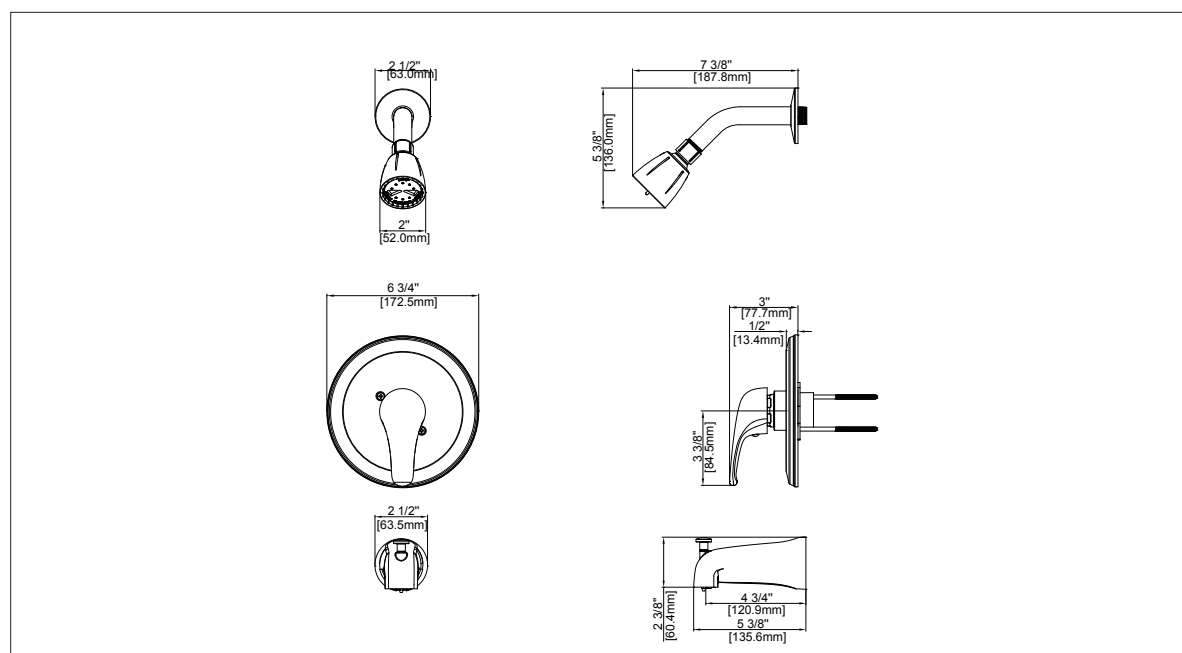
Visit Our Web Site : www.matco-norca.com

Single Handle Tub & Shower Trim Kit

| No. | Name | Part No. |
|-----|--|----------|
| 1 | Shower head / Cabezal de la ducha | RP38402* |
| 2 | Shower arm / Brazo de la ducha | RP38408* |
| 3 | Shower flange / Brida de la ducha | RP38046* |
| 4 | Sleeve / Funda | RP80624* |
| 5 | Escutcheon / Placa protectora | RP80610* |
| 6 | Escutcheon screw / Tornillo de la placa protectora | RP50190* |
| 7 | Handle / Llave | RP13770* |
| 8 | Index / Índice | RP10042 |
| 9 | Spout / Caño | RP33122* |



* Specify Finish
* Especifique el Acabado



Product Spec Sheet