

T-250 Flush Valve

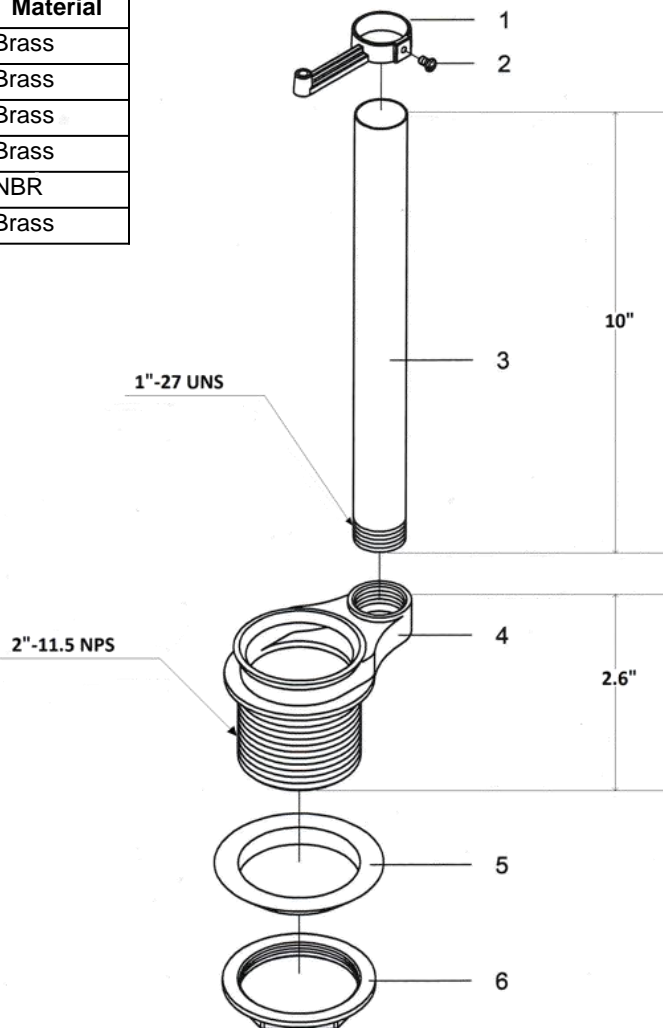
Specification Sheet

FEATURES & BENEFITS

- Brass Douglas Flush Valve
- With Guide Arm

MATERIAL SPECIFICATIONS

No.	Part	Material
1	Holder Ring	Brass
2	Set Screw	Brass
3	Tailpipe	Brass
4	Body	Brass
5	Washer	NBR
6	Lock Nut	Brass



MATCO
NORCA